

CHAPTER

38

WATER/WASTE

CESSNA®
MODEL 208
ILLUSTRATED PARTS CATALOG

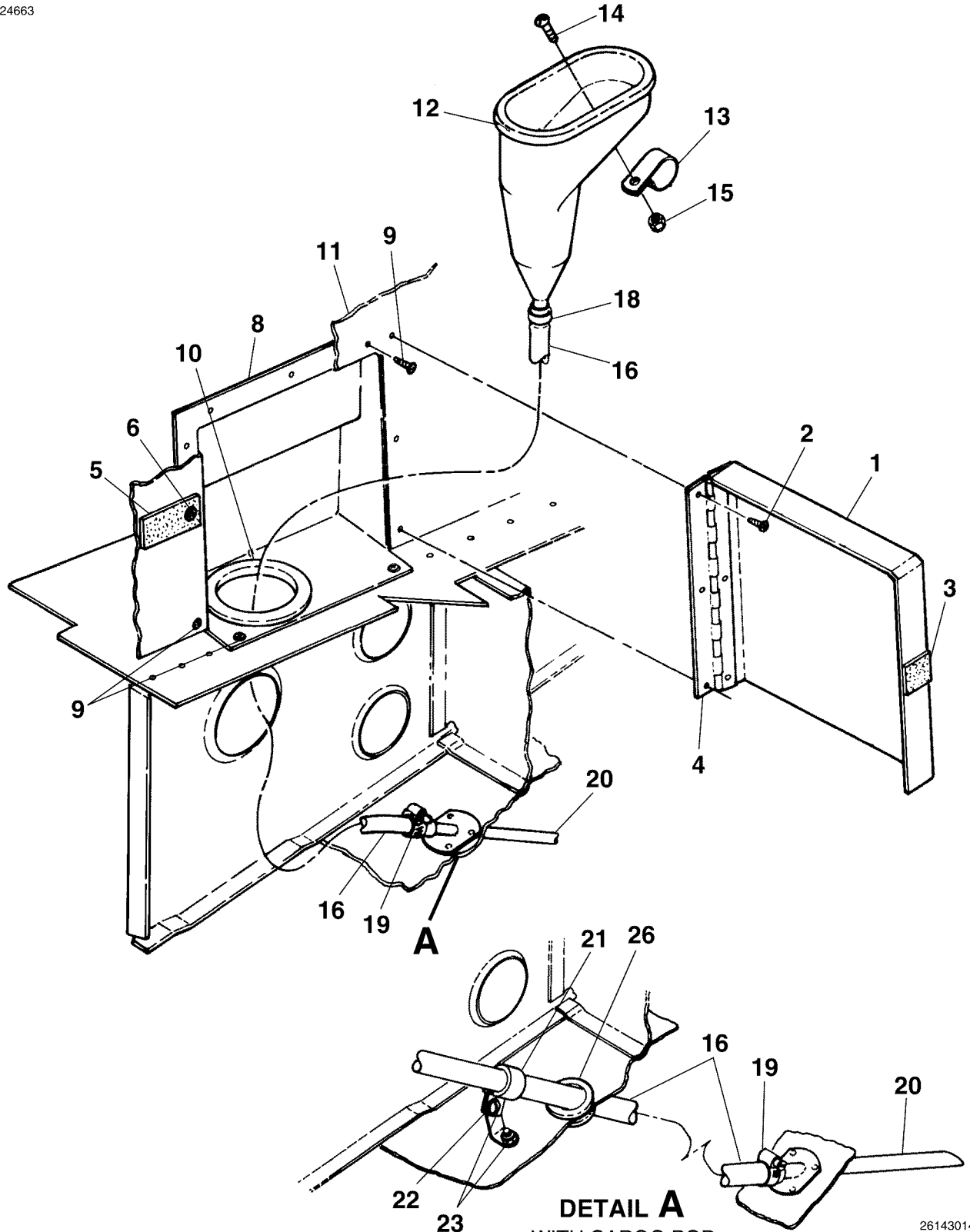
<u>CHAPTER SECTION SUBJECT</u>		<u>NUMBER OF PAGES</u>	<u>DATE</u>
38 - TITLE			
38 - LIST OF EFFECTIVE PAGES			
38 - RECORD OF TEMPORARY REVISIONS			
38 - TABLE OF CONTENTS			
38-30-01	Figure 01	2	Mar 1/2015

CESSNA®
MODEL 208
ILLUSTRATED PARTS CATALOG

<u>SUBJECT</u>	<u>CHAPTER SECTION SUBJECT</u>	<u>FIGURE</u>	<u>EFFECTIVITY START</u>	<u>END</u>
RELIEF TUBE INSTALLATION	38-30-01	01	0061 B0214	& ON & ON

CESSNA®
MODEL 208
 ILLUSTRATED PARTS CATALOG

A24663



RELIEF TUBE INSTALLATION
 FIGURE 01 (SHEET 1)

26143014
 A26142021

CESSNA®
MODEL 208
 ILLUSTRATED PARTS CATALOG

FIG ITEM	PART NUMBER	NOMENCLATURE	UNITS PER ASSY							
			1	2	3	4	5	6	7	
01		RELIEF TUBE INSTALLATION								
-					0061	& ON				RF
					B0214	& ON				
1	2512249-4	. DOOR ASSY-RELIEF TUBE								01
		. ATTACHING PARTS								
2	S1021A4-8	. SCREW								03
		. *—								
3	F990328	. . FABRIC FASTENER-PILE 1.00 IN LG BKI								01 R
4	2512146-1	. . HINGE ASSY-RELIEF TUBE DOOR								01
5	F990014	. FABRIC FASTENER-HOOK 2.38 IN LG BKI								01
- 5A	F990308	. FABRIC FASTENER-HOOK 2.38 IN LG BKI								01
		. ATTACHING PARTS								
6	S1021A4-8	. SCREW								01
- 7	S2385-1	. WASHER								01
		. *—								
8	2512183-4	. HOUSING ASSY-RELIEF TUBE								01
		. ATTACHING PARTS								
9	S1021A4-8	. SCREW								07
		. *—								
10	S1166-1	. CHANNEL 7.10 IN LG BKI								01
11		. TRIM PANEL ASSY-RH AFT REFER TO 25-23-02 FIGURE 01								RF
12	5619193-3	. RELIEF TUBE ASSY FSO 5619193-4								01
- 12A	5619193-4	. RELIEF TUBE ASSY								01
13	NAS1397P16N	. . CLAMP								01
		. ATTACHING PARTS								
14	MS51957-61	. . SCREW								01
15	CM3224-3B	. . NUT								01
		. *—								
16	R221625	. HOSE 30.00 IN LG BKI								01
- 17	R221625	. HOSE 42.00 IN LG BKI WITH CARGO POD								01
		. ATTACHING PARTS								
18	S2209-1	. STA STRAP								01
19	AN737TW26	. CLAMP								01
		. *—								
20	2512150-6	. DRAIN ASSY-RELIEF TUBE								01
21	MS9024-09	. CLAMP WITH CARGO POD								01
22	CM2921-1	. BRACKET WITH CARGO POD								01
		. ATTACHING PARTS								
23	AN538-10R8	. SCREW								02
- 24	NAS1149F0332P	. WASHER								02
- 25	MS21044N3	. NUT								02
		. *—								
26	MS35489-19	. GROMMET WITH CARGO POD								01

- ITEM NOT ILLUSTRATED